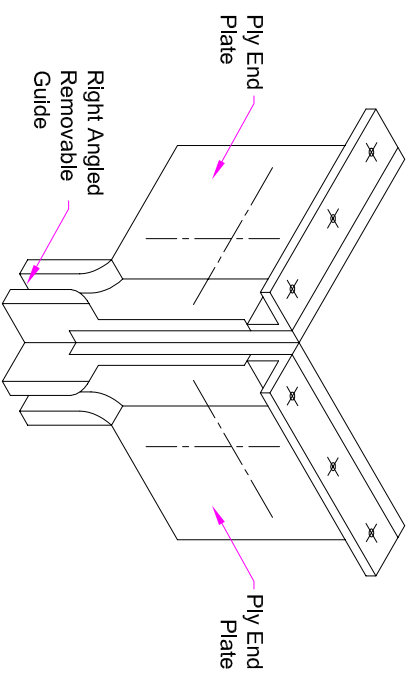
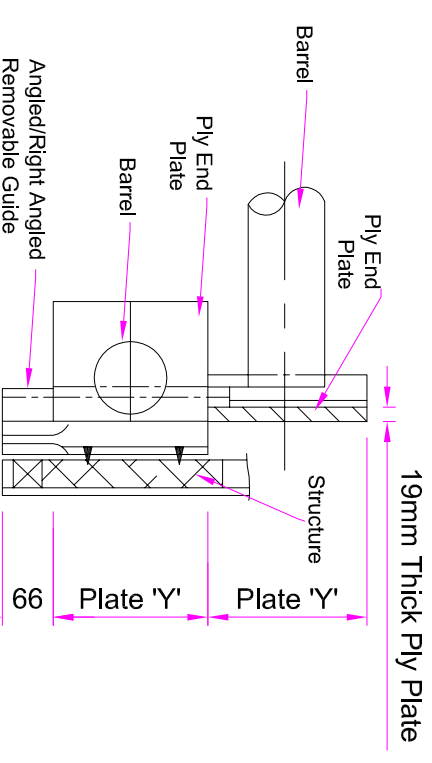


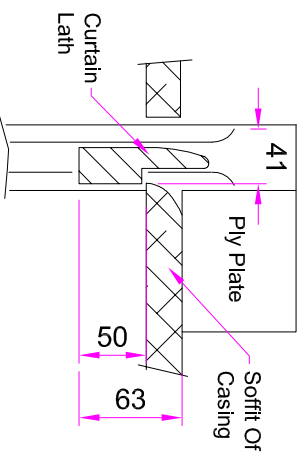
Top Fitting Of Intermediate Ply Pad
(Support Required Above Pads - Not by Guardian)



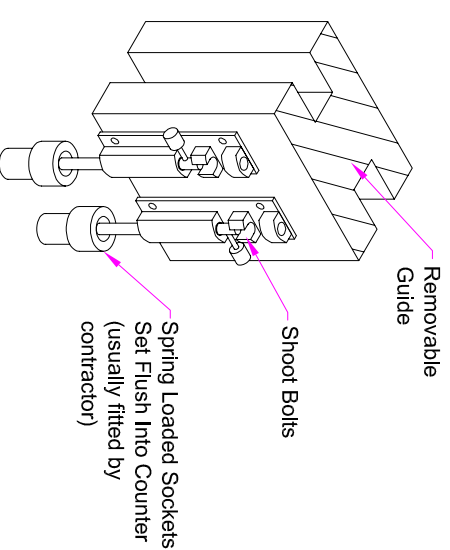
Removable Guide With 2 End Plates At Same Height
(Plates On Public Side)



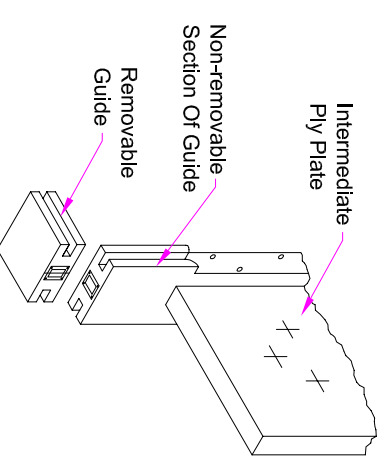
Removable Guide With Two End Plates - One Above The Other
(Support By Others)



Soffit Of Casing Acts As Stop

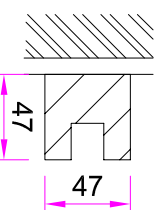


Bottom Fitting For Removable Guides

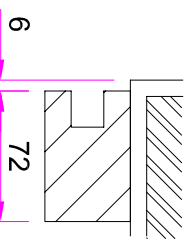


Top Fitting For Removable Guides

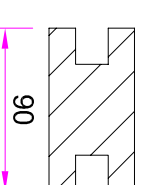
Please Note: When electrically operated an additional 30mm is needed behind the back of the standard guides shown, depending on the size of the shutter.



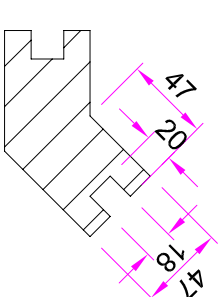
Reveal Fix Guide



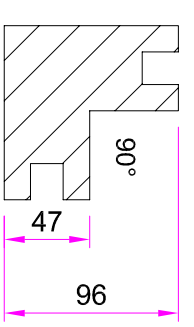
Face Fix Guide



Straight Removable Guide



Angled Removable Guide (Angle To Suit)



Right Angle Removable Guide

UNLESS OTHERWISE INDICATED ALL DIMENSIONS IN MILLIMETERS

DRAWN	CHK'D	APP'D	DATE	SCALE
NC				

TITLE	Job No:	ISSUE	DATE	APP'D
Timber Roller Shutter Guide & End Plate Details	Guardian maintains a policy of progressive design and we reserve the right to modify specifications without prior notice or alteration to this drawing	1	07.02.14	PT

